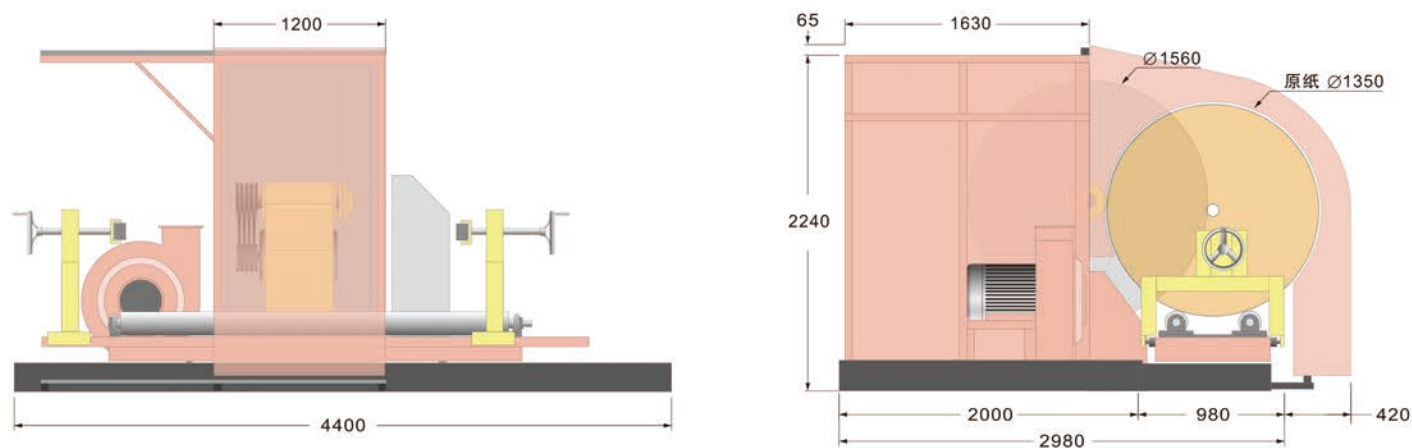


● YYS-IV Paper cutting machine  
YYS-IV型切纸机



Dimensions chart / 尺寸图



The parameters for cutting machine / 切纸机参数

序号/Item	品名/Name	规格/Size
1	Paper Width / 切纸门幅	3公分-2.5米之间任意尺寸 Between 3cm and 2.5m
2	Paper DIA / 切纸直径	35公分-1.35米之间任意尺寸 Between 35cm to 1.35m
3	Time consuming / 切纸时间	1.25米直径牛卡140克切开需5分钟，克重越低切割越快，正常每小时切割6卷，上下纸及调节尺寸时间包含在内。 It'll take 5min to cut 1.25m DIA and 140g Kraft card board, time consuming conversely to weight. 6 volumes can be cut
4	Voltage / 电压	200-440V三相
5	Frequency / 频率	50-60HZ
6	Power / 功率	37KW
7	Main Motor's power / 主电机功率	22KW
8	Weight / 重量	3.45T
9	Cutter blade speed / 刀片转速	740R/min
10	How to Place / 机器摆放	水平地面平放，可任意调整位置。 Plat on level ground, willfully adjust allowed
11	Blade life time / 刀片使用寿命	切割700刀以后，需专用工具打磨一次再使用，整刀可打磨六次左右需返回刀具厂家换锯齿，本公司会提供刀具厂家联络方式及参考价格供客户参考。 The blade should be sharpened by special tool after 700 times cutting. The blade should be return to factory to be replaced after 6 times polished. We provide the reference price of the blade and the contact information of the blade vendor.
12	Practicability / 实用性	本机采用国际钢材，无焊缝，安全牢固，不会变形。电子元件均为知名品牌，经久耐用，性能稳定。 The machine with GB steel, fulling welding and security, not be deformed. All the components with famous brand, which is durable, stable performance.

Special models can be customized according to paper roll specification  
特殊机型可根据原纸大小订购！